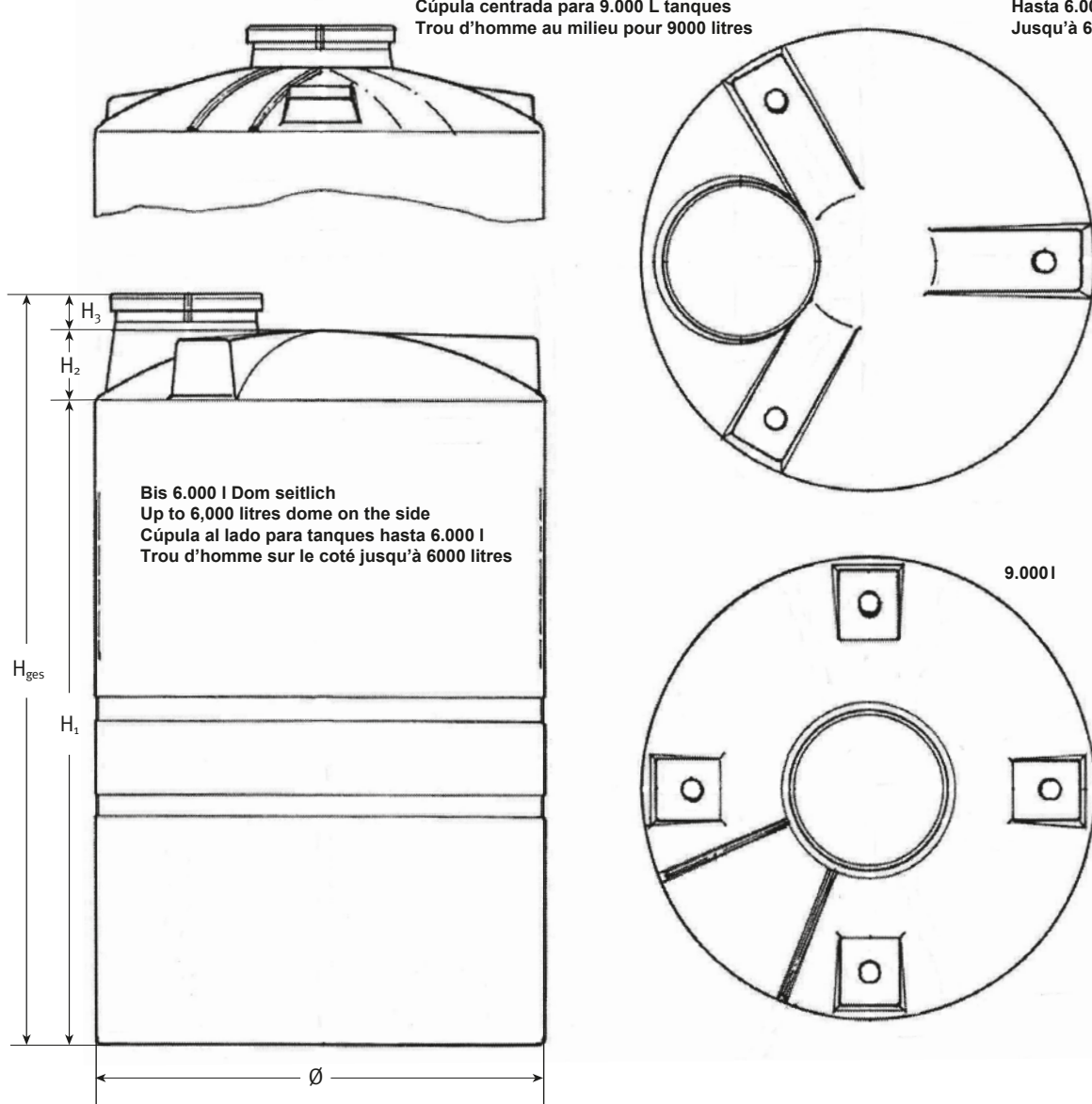


9.000 l Dom mittig
 9,000 litres dome in the centre
 Cúpula centrada para 9.000 L tanques
 Trou d'homme au milieu pour 9000 litres

bis 6.000 l
 Up to 6,000 litres
 Hasta 6.000 L
 Jusqu'à 6000 litres



Bis 6.000 l Dom seitlich
 Up to 6,000 litres dome on the side
 Cúpula al lado para tanques hasta 6.000 l
 Trou d'homme sur le coté jusqu'à 6000 litres

Inhalt Volume Capacidad Capacité	H _{ges}	H ₁	H ₂	H ₃	Ø	Gewicht Weight Peso Poids
2.000 l (528.3 US gal.)	1675 mm (65.9 Inch)	1350 mm (53.2 Inch)	200 mm (7.9 Inch)	110 mm (4.3 Inch)	1400 mm (55.1 Inch)	63 kg (138.9 lbs)
3.000 l (792.5 US gal.)	2290 mm (90.2 Inch)	1975 mm (77.8 Inch)	200 mm (7.9 Inch)	110 mm (4.3 Inch)	1400 mm (55.1 Inch)	83 kg (183.0 lbs)
4.000 l (1056.7 US gal.)	2160 mm (85.0 Inch)	1810 mm (71.3 Inch)	240 mm (9.5 Inch)	110 mm (4.3 Inch)	1700 mm (66.9 Inch)	133 kg (293.2 lbs)
6.000 l (1585 US gal.)	2150 mm (84.6 Inch)	1800 mm (70.9 Inch)	240 mm (9.5 Inch)	110 mm (4.3 Inch)	2100 mm (82.7 Inch)	183 kg (403.4 lbs)
9.000 l (2377.5 US gal.)	2350 mm (92.5 Inch)	1850 mm (72.8 Inch)	390 mm (15.4 Inch)	110 mm (4.3 Inch)	2600 mm (102.4 Inch)	253 kg (557.8 lbs)

D Industrietank aus PE 2.000 – 9.000 Liter			Artikel-Nr. product no. article no. artículo no.	327041 – 327045 & 327047	
GB Industrial tank 2.000 – 9.000 l	ES Depósito industrial 2.000 – 9.000 l	FR Cuves verticales 2.000 – 9.000 l	revision		
gezeichnet drawn	AFE	Gewicht weight	Otto Graf GmbH Carl-Zeiss-Str. 2-6 DE-79331 Teningen mail@graf.info www.graf.info		
Datum date	07.2016	Toleranz tolerance			+/- 3%
Maßstab scale		Einheiten units			mm [inch] gal. = US gal.
					